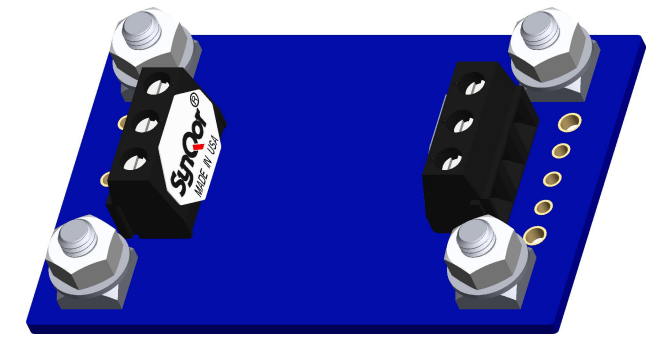
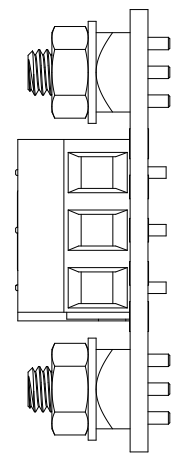
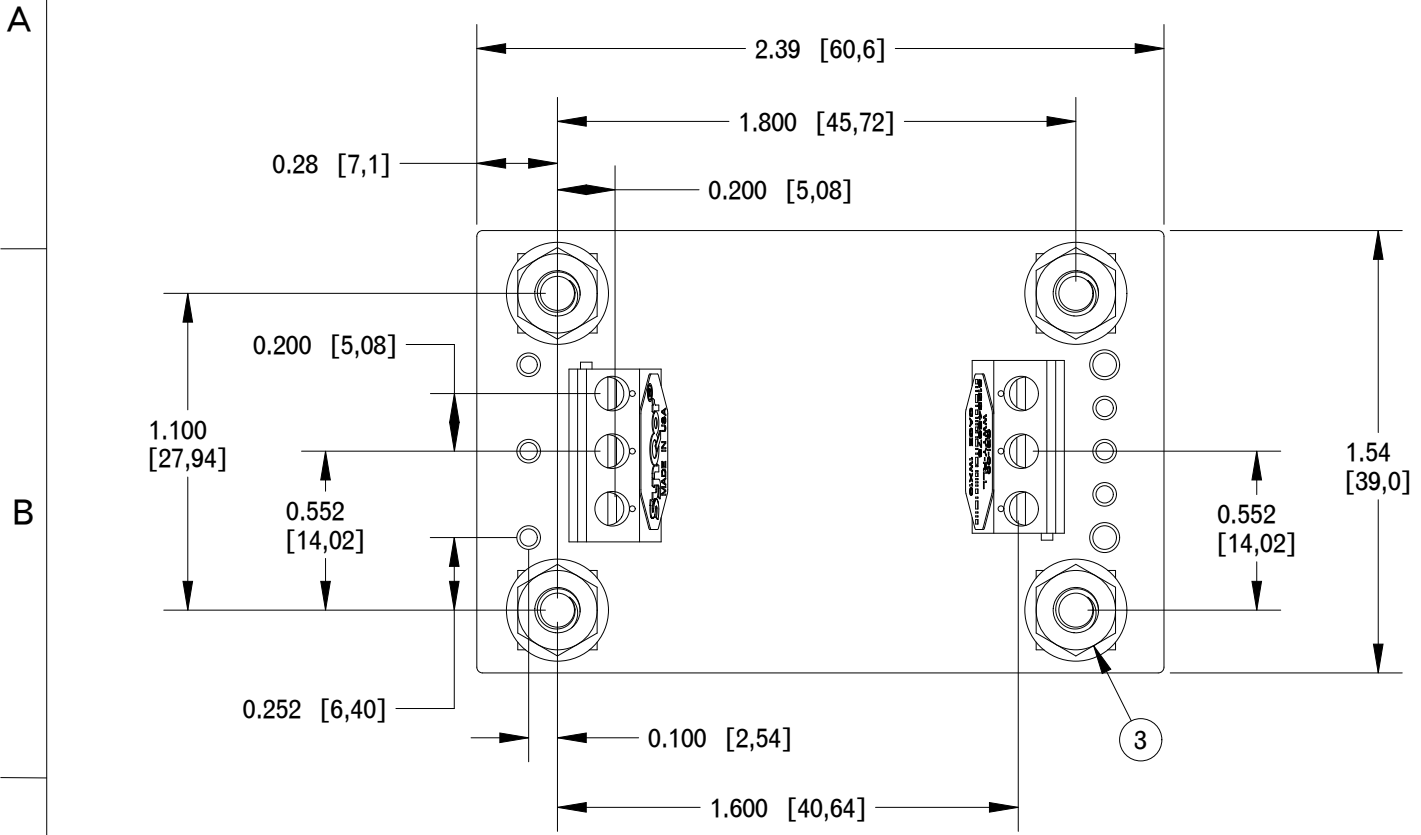
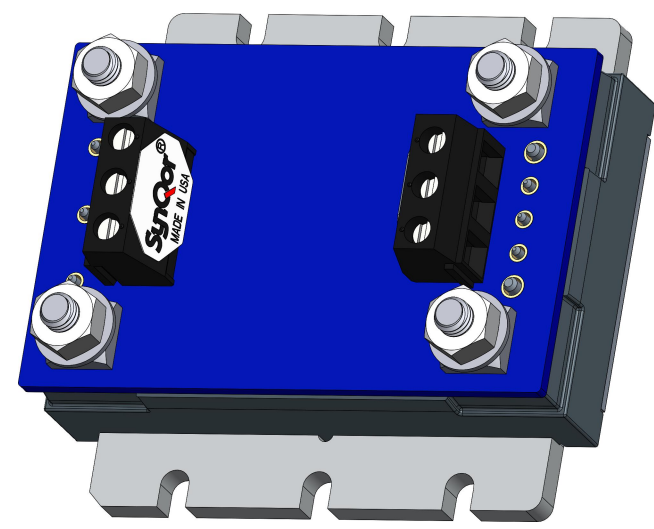
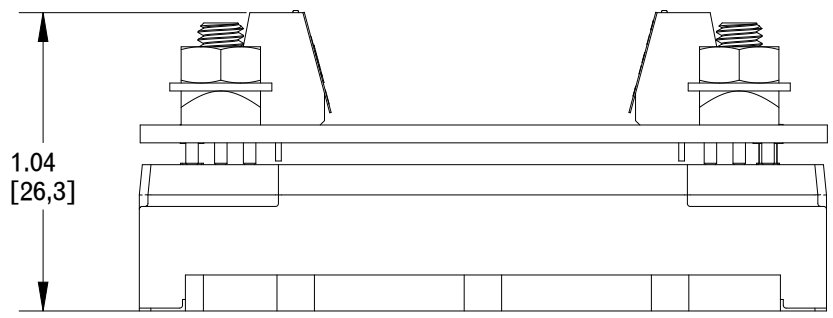
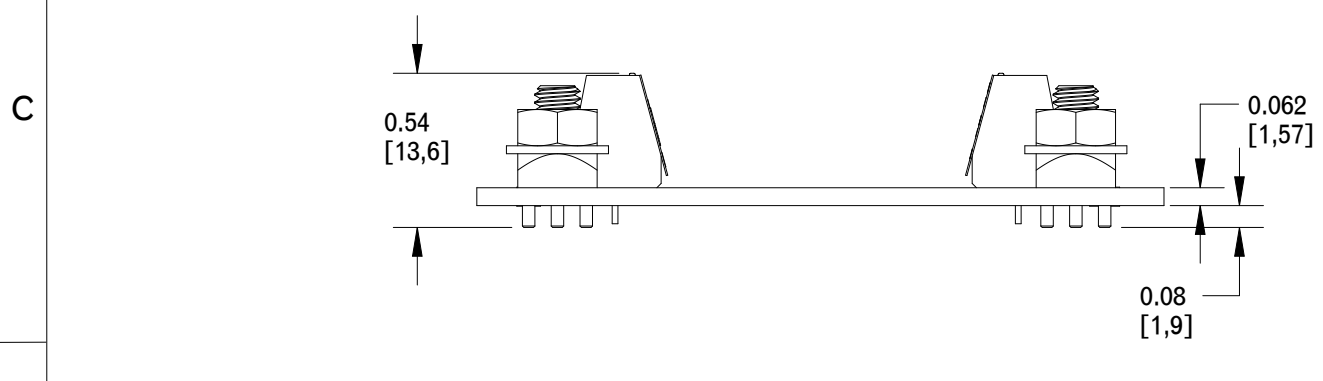


REVISIONS			
REV	DESCRIPTION	DATE	APPROVED
1	INITIAL RELEASE PER ECO 17-22061	01/23/17	D.SCHLECHT
A	NOTE 7 ADDED PER ECO 21-27993	09/10/21	K.DUBROWN



SCALE 1.250



SCALE 1.250

- NOTES:**
- CONSULT DATASHEET OF THE UNIT THAT THE INTERFACE BOARD IS / WILL BE MOUNTED TO FOR I/O DEFINITIONS, MOUNTING DIMENSIONS AND OPERATING PARAMETERS.
 - ALL DIMENSIONS IN INCHES (MM)
TOLERANCES: X.XX ± .02 IN. (X.X ± .5MM)
X.XXX ± .010 IN. (X.XX ± .25MM)
 - TERMINALS 1, 3, 4, 8: M4 SCREW POST, MAX TORQUE 6 IN-LB (.7 NM).
 - TERMINAL BLOCKS: WIRE SIZE 16-30 AWG, 13.5A MAX CURRENT PER TERMINAL, MAX TORQUE 4 IN-LB (.5 NM)
 - FITS BOTH STANDARD AND FLANGED QUARTER BRICKS
 - ADAPTOR WEIGHT: 1.02 OZ (29 GRAMS)
 - ROHS COMPLIANT

TOLERANCES: Unless otherwise specified: All dimensions in inches .X +/- .025 .XX +/- .010 .XXX +/- .005 Angles +/- 1°			
		155 Swanson Road Boxborough, MA 01719-1316	
QBI-04 INTERFACE REMOTE ENABLE FUNCTION INTERFACE ASSEMBLY			
SOURCE: PRO/E 020-0000319_B			
SIZE	DATE	DWG. NO.	REV
B	SEP-10-21	020-0000319	A
SCALE: 1.500	DRAWN: KJD	CHECK:	SHEET 1 of 1